



Smart Technology, Innovative Solutions

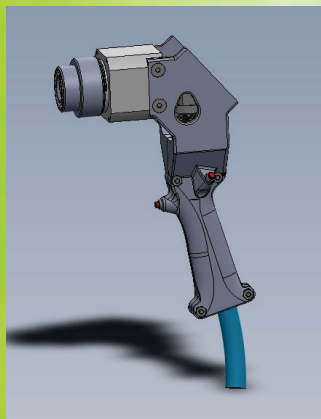
CIRQUAL iQ Handheld Burner Solution

Introducing the Cirqual®iQ Handheld Flame Treatment Burner (*patent pending), a cutting-edge solution offering high-quality and safe flame surface treatment with unparalleled flexibility and ease of use.

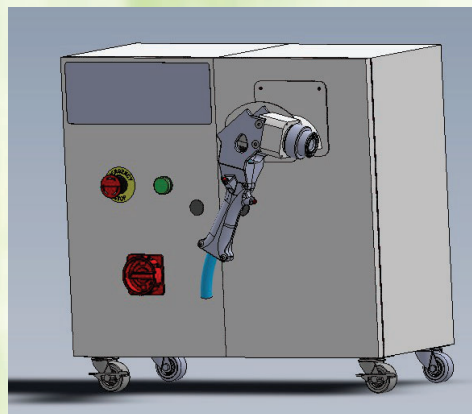
Designed to cater to diverse applications without the need for automation, this innovative device features dual-button activation seamlessly integrated into its ergonomic handle, enabling swift and precise flame treatment on an extensive range of products and surfaces.

- **Versatile Application:** Ideal for operations dealing with a wide array of products requiring surface treatment, as well as for small or batch production runs where automation is impractical.
- **Efficiency and Convenience:** Streamlined for simple and rapid surface preparation needs, ensuring optimal productivity without compromising quality.
- **Safety and Control:** The ergonomically designed handle incorporates built-in safety switches, providing users with a secure grip and enhanced control during operation. The integrated air/gas mixture hose and electronics contribute to a balanced feel, promoting maneuverability and flexibility.

As a globally recognized leader in flame treatment process technology, FTS Technologies leverages advanced features inspired by the Cirqual burner, delivering superior performance and reliability. With the Handheld Burner, users can harness the benefits of premium flame surface treatment solutions in a cost-effective and adaptable package, empowering them to achieve results with unmatched efficiency and precision.



Cirqual®iQ Burner



The CiQ-6001 Low Capacity Flame Treatment Unit Paired with Cirqual®iQ



@ftstechnologies

fts-technologies

fts_technologies_llc

The Global Leader In Surface Treatments

10255 Bergin Road, Howell, MI, 48843
info@ftstechnologies.com (810) 991-1801

